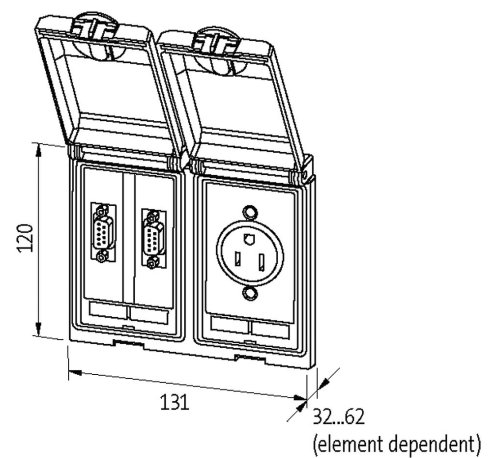


Modlink MSDD-set: Frame 4000-68123-0000000,

insert 4000-68000-1440000

Illustration



Product may differ from Image

Frame

| | |
|---|----------|
| suitable for mounting with wall thickness | 1...5 mm |
| Protection | IP65 |

| | |
|-------------------|---|
| Housing | Zinc die-casting, with surface finishing |
| Temperature range | -10...+60 °C (storage temperature -25...+60 °C) |

SUB-D9

| | |
|-------------------------------|------------------------|
| Operating voltage | 48 V AC/DC |
| Operating voltage (UL Rating) | max. 30 V AC/42.4 V DC |
| Operating current | 3 A |
| Operating current (UL Rating) | max. 175 mA |
| No. of poles | 9-pole |
| Connection front side | SUB-D (female) |
| Connection rear side | SUB-D (female) |
| Locking of ports | UNC 4...40 bolt |

RJ45

| | |
|-------------------------------|---------------------------------------|
| Operating voltage (UL Rating) | max. 30 V AC/42.4 V DC |
| Operating current (UL Rating) | max. 175 mA |
| Connection front side | RJ45 |
| Connection rear side | RJ45 |
| Locking of ports | Snap In |
| Specification | CAT5e, Class D, 100 MHz, (EN 50173-1) |

Shielding plate

| | |
|-------------------|------------------|
| Connection | Threaded hole M4 |
| Tightening torque | 0.9 Nm ±0.1 |

USB

| | |
|-------------------------------|--------------------------|
| Operating voltage | 48 V AC/DC |
| Operating voltage (UL Rating) | max. 30 V AC/42.4 V DC |
| Operating current | 1.5 A |
| Locking of ports | Snap In |
| Specification | USB: 3.0 (max. 5 Gbit/s) |

Commercial data

| | |
|-----------------------|---------------|
| country of origin | DE |
| customs tariff number | 85366990 |
| EAN | 4048879033763 |
| eClass | 27189217 |
| Packaging unit | 1 |